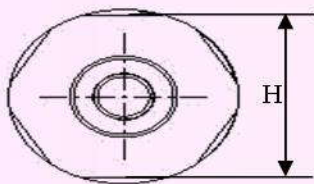
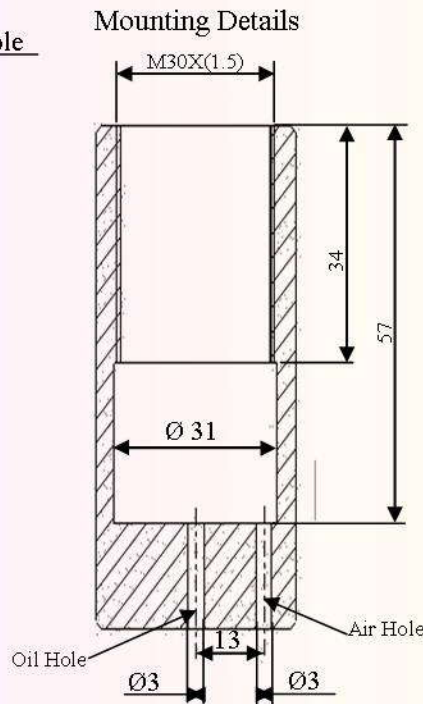
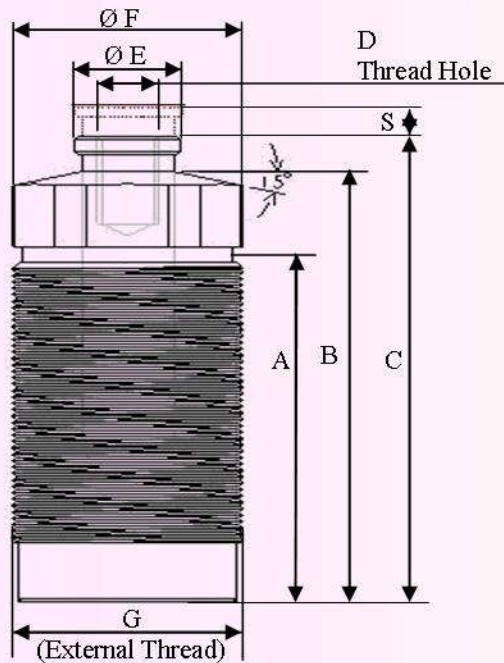




HYD. WORK SUPPORT



Min. Operating Pressure = 10 Bar
 Max. Operating Pressure = 70 Bar

Max. Operating Temperature = 100°C

WHY GBB INDUSTRIES ?

- **High Rigidity.**
Give the high rigidity supports against the heavy milling.
- **Protects from vibration & deflection.**
Protects the thin work piece from vibration & deflection.
- **Applied force.**
Support force of work support must be greater than 1.5 times of applied force when work support & work clamp are used at opposed direction.

MODEL NO.	HNVM30
A	58.5
B	73.5
C	80
D	M8 DEEP-10
ØE	14
ØF	30
G	M30x(1.5)
H	28
S (Stroke Length)	8

** ALL DIAMENTIONS ARE IN MM.