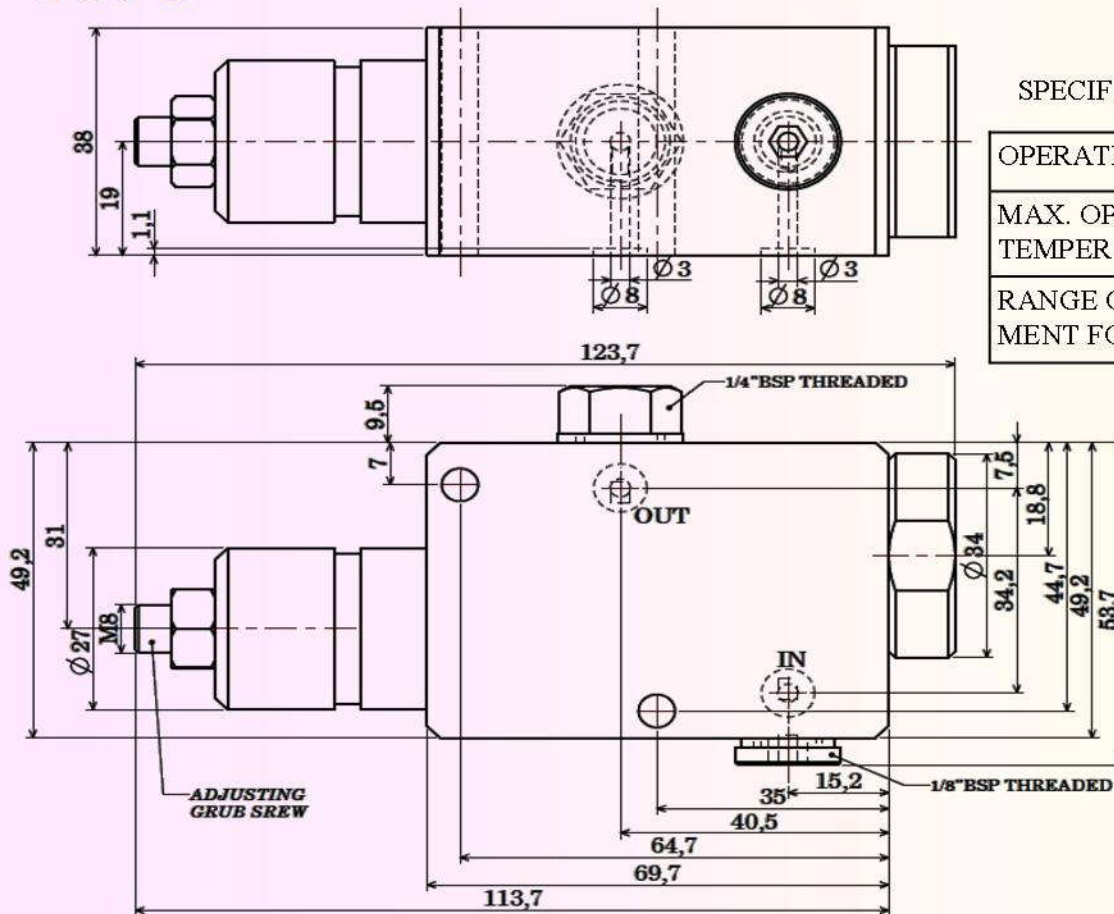




SEQUENCE VALVE

HSV-01

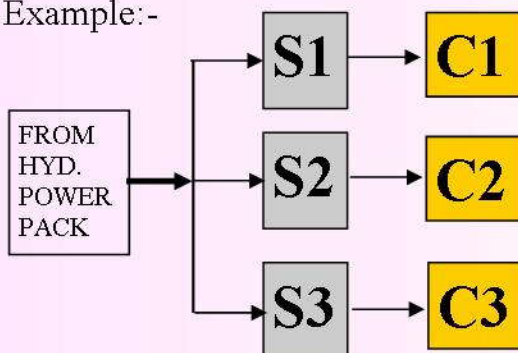


SPECIFICATIONS:-

OPERATING PRESSURE	10~70 Bar
MAX. OPERATING TEMPERATURE	100°C
RANGE OF ADJUSTMENT FOR SEQUENCE	10~70 Bar

HNV Make Sequence Valve gives freedom to make hydraulic piping in parallel connections, So that at the time of trial you can change sequence of hydraulic elements as per your requirement, without changing hydraulic piping.

Example:-



Ex.- Block Dig.

POSSIBLE SEQUENCING:-

Sr No.	SEQUENCE
1	C1-C2-C3
2	C2-C3-C1
3	C3-C1-C2
4	C1-C3-C2
5	C3-C2-C1
6	C2-C1-C3

S- SEQUENCE VALVE
C- HYD. CYLINDER