

HP 12 16

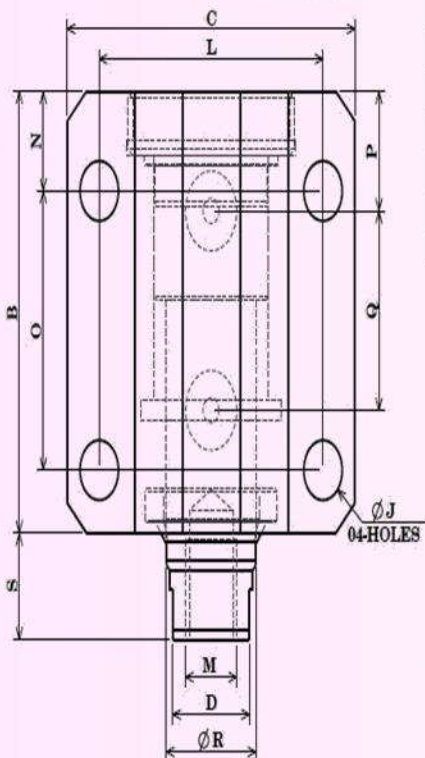
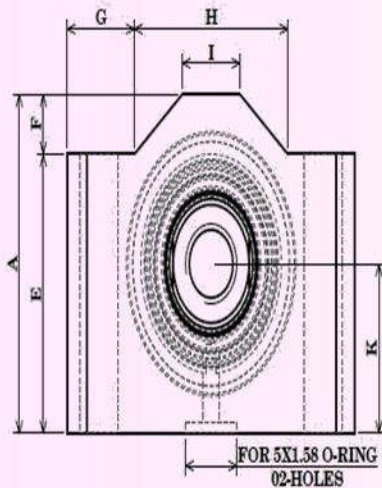
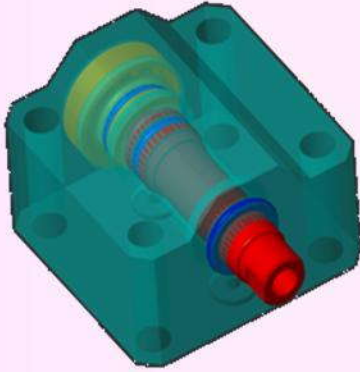
1

2

1. BORE DIAMETER
2. STROKE LENGTH



HYD. PUSHER



MODEL NO.	HP-12-16	HP-18-16	HP-25-16	HP32-16	HP-40-16
BORE DIA	Ø12	Ø18	Ø25	Ø32	Ø40
STROKE LENGTH	16 MM	16 MM	16 MM	16 MM	16 MM
BALANCE STROKE	3.0MM	3.0MM	3.0MM	3.0MM	3.0MM
A	28	34	38	45	52
B	43.5	48.3	48.5	48.5	50.8
C	44	45	52	62	72
D	8	12	12	12	13
E	22	28	32	37	42
F	6	6	6	8	10
G	10	10.5	10.5	12.5	12
H	24	24	31	37	48
I	12	9	19	21	28
ØJ	6	6	6	7	7
K	14	17	19	22.5	26
L	34	35	41	50	60
M	M6X10 DEEP	M8X10 DEEP	M8X10 DEEP	M8X10 DEEP	M8X10 DEEP
N	5.75	10	10	10	10
O	32	32	32	32	32
P	12	12	12	12	13.3
Q	24	24	24	24	24.5
ØR	10	14	16	16	18
S	9.7	10.7	10.7	10.7	10.8

** ALL DIAMENTIONS ARE IN MM.

$$\text{ACTUAL APLIED FORCE (KN)} = \frac{A \times P}{10} \times 0.9 \text{ (90\% Efficiency)}$$

*A= Area of cylinder (Cm²), *P= Operating pressure (Mpa),

Min. Operating Pressure = 10 Bar

Max. Operating Pressure = 70 Bar

Max. Operating Temperature = 100°C

Note:- As per customer requirement 8mm & 12mm stroke pusher also available.